

CLAIM FILE #7

LUBE OIL PUMP

VEHICLE
2013 Freightliner Cascadia

VIN
DSBC7979

TIMING OF FAILURE
Days after sale: 579
Miles driven: 189,387

CLAIM DATE
January 21, 2022

COMPLAINT
Check engine light on

FAILURE
Lube Oil Pump

REPAIR
Replaced Engine



CLAIM FILE #8

PUSH ROD

VEHICLE
2015 International 4300

VIN
FH531141

TIMING OF FAILURE
Days after sale: 156
Miles driven: 30,868

CLAIM DATE
December 9, 2021

COMPLAINT
Engine Misfiring

FAILURE
Bent Push Rod

REPAIR
Replaced Push Rod, Doser Injector & Fuel Pump



CLAIM FILE #9

TURBOCHARGERS

VEHICLE
2016 Freightliner M2

VIN
GDGZ7335

TIMING OF FAILURE
Days after sale: 452
Miles driven: 88,699

CLAIM DATE
February 2, 2022

COMPLAINT
Check engine light on

FAILURE
Turbine Wheel Failure

REPAIR
Replaced Turbochargers



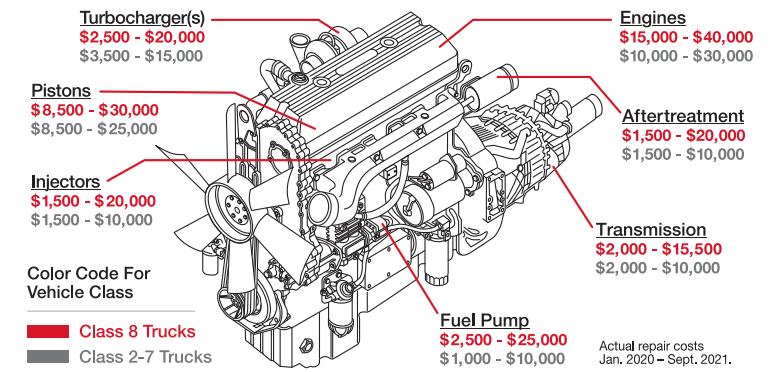
NICE TO KNOW NEWS

2022
EDITION 2

The Value of Having a Warranty
Peace of Mind and Much More

Managing your own business and the trucks that make your business move, is more involved than just hauling freight. A big part of your job is taking care of your biggest asset, your truck, with smart preventative maintenance and daily checks. What you can't predict is a major equipment failure that will happen on every used truck, it's inevitable. If you don't put aside a fund to pay for unexpected breakdowns, the high cost to repair one major equipment failure could put your business in jeopardy. That's why selecting a trusted warranty program should be high on your list as a smart way to protect your business, your investment, and your livelihood.

Major Components Repair Costs Range



Since 1995, the mission of Premium 2000+ has been to give owner operators warranty coverage choices that will pay for major repairs and keep you and your truck on the road and moving. That's why we are always designing the industry's best warranty programs to fit a variety of our drivers needs.

When you are considering purchasing an aftermarket warranty, make sure you choose a warranty company that has a long history in the business and a strong reputation of standing behind the coverages they offer. Some key benefits to look are ones you get with a Premium 2000+ warranty:

Peace of Mind	Rest easy knowing you're covered if something goes wrong with the equipment covered by your warranty.
Financial Protection	Protect against paying for expensive mechanical repairs that can derail your business.
Essential Coverage	Protect the most important parts of your truck, like the engine, turbo(s), transmission, aftertreatment, and more.
Exceptional Customer Service	Fast, responsive, professional customer service means you have the help you need when you need it.
Impressive Payouts	Our promise is simple: if the equipment failure is covered, we'll pay to get you repaired. That's why National Truck Protection pays tens of million of dollars in claims annually.

See some examples on the next few pages of real claims that occurred and were paid by Premium 2000+. Don't risk not being covered and putting your business in jeopardy if you don't have the funds to get your truck back on the road.

CLAIM FILE #1

RADIATOR

VEHICLE
2016 Freightliner Cascadia

VIN
GLGY1132

TIMING OF FAILURE
Days after sale: 196
Miles driven: 15,608

CLAIM DATE
October 8, 2021

COMPLAINT
Check engine light on and using coolant

FAILURE
Radiator

REPAIR
Replaced Radiator



CLAIM FILE #2

TRANSMISSION

VEHICLE
2013 Volvo VNL64300

VIN
DN150681

TIMING OF FAILURE
Days after sale: 284
Miles driven: 22,737

CLAIM DATE
December 15, 2021

COMPLAINT
Truck Broke Down

FAILURE
Transmission Gears

REPAIR
Replaced Transmission



CLAIM FILE #3

PISTON RINGS

VEHICLE
2015 Peterbilt 579

VIN
FD275322

TIMING OF FAILURE
Days after sale: 46
Miles driven: 5,743

CLAIM DATE
November 1, 2021

COMPLAINT
Oil consumption

FAILURE
Piston Rings and Liners wore out

REPAIR
Removed Cylinder Head and Oil Pan - Replaced Cylinder Liner Kits



CLAIM FILE #4

CYLINDER HEAD

VEHICLE
2016 Mack CX613

VIN
GM053843

TIMING OF FAILURE
Days after sale: 847
Miles driven: 164,706

CLAIM DATE
January 1, 2022

COMPLAINT
Smoke and low power

FAILURE
Cylinder Head Casting

REPAIR
Replaced Cylinder Head and Gasket



CLAIM FILE #5

ENGINE AIR COMPRESSOR

VEHICLE
2014 Freightliner X11364ST

VIN
ESFU9087

TIMING OF FAILURE
Days after sale: 253
Miles driven: 42,426

CLAIM DATE
February 21, 2022

COMPLAINT
Fault Code Sync with ELD

FAILURE
Bad Compressor Clutch

REPAIR
Replaced Engine Air Compressor



CLAIM FILE #6

FAN CLUTCH

VEHICLE
2017 Kenworth T680

VIN
HJ159197

TIMING OF FAILURE
Days after sale: 14
Miles driven: 3,657

CLAIM DATE
December 8, 2021

COMPLAINT
Engine running hot

FAILURE
Fan Clutch Not Working Properly

REPAIR
Replaced Fan Clutch

