



## The SUPREME™ Warranty Programs

### The Most Comprehensive Warranty Coverage for Any Commercial Vehicle.

Premium 2000+ SUPREME warranty programs cover just about every Class 2 to Class 8 commercial truck on the road, with no Limits of Liability on engine, critical components, turbos and transmission! That's the best coverage you can buy to protect your business. And like all our warranties, our promise is that if you maintain your truck and a part fails that is covered by the warranty you bought, we'll pay for that repair and get you back on the road making money. Since 1985, single truck and small fleet owner operators have trusted us to take care of their trucks so we work hard every day to keep earning that trust.

#### SUPREME Unique Warranty Benefits

- **Highest Limits of Liability (LOL) of any of our warranty programs**
  - Engine: NO LIMITS\*
  - Critical Components: NO LIMITS\*
  - Turbochargers: NO LIMITS\*
  - Trans & Rears: NO LIMITS\*
  - Aftertreatment: \$10,500
  - One Box: \$15,900
- **SUPREME Heavy, Medium, and Light-Duty Coverages\***
  - The Most Covered Components
  - Engine: Diesel and Gas
  - Critical Components: ECM, Fuel Injectors, Fuel Pump, Turbos, Water Pump and more
  - Aftertreatment (Diesel) and Emissions Assembly (Gas)
- **Expanded Covered Conditions**
  - More Generous Progressive Damage (includes water pump) and Wearout Coverage
- **Rapid Repair Guarantee Plus™ program included at NO CHARGE** (see back for details)

\*See coverage details on back



### YOUR TRUCK IS YOUR LIVELIHOOD

A Premium 2000+ SUPREME warranty is an investment in your business that gives you:

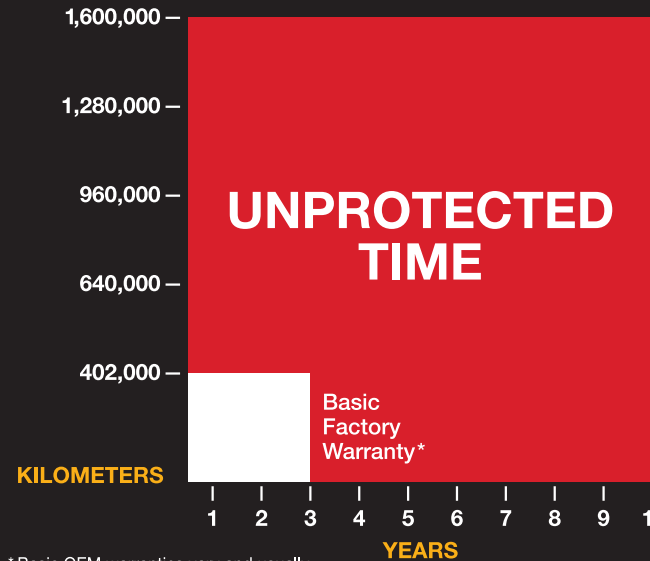
- 1 Peace of mind**  
Rest easy knowing you're covered if something goes wrong with the equipment covered by your warranty.
- 2 Financial protection**  
Protect against paying expensive mechanical repairs that can derail your business.
- 3 Essential coverage**  
Protect the most important parts of your truck, like the engine, turbo(s), transmission, aftertreatment and more.
- 4 Exceptional customer service**  
We make it our business to take care of your business when you need us. You can reach us through your own personal portal, email or phone.
- 5 Impressive payouts**  
It's simple. If your failure is covered by the warranty you purchased, we'll pay for the repair.



### High Risk of Equipment Failure After Factory Warranty Ends

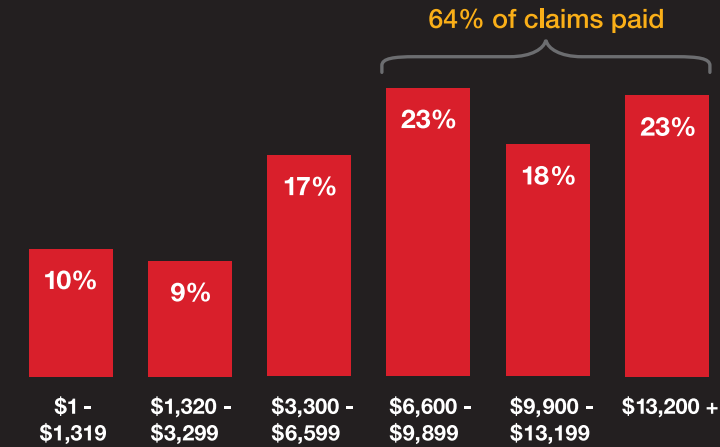
### Cost of Repairs for Claims Paid (Over the life of the warranty)

Example of Basic Warranty Coverage for New HD/MD Trucks



\* Basic OEM warranties vary and usually include engine and sometimes transmission. HD: Heavy-Duty MD: Medium-Duty

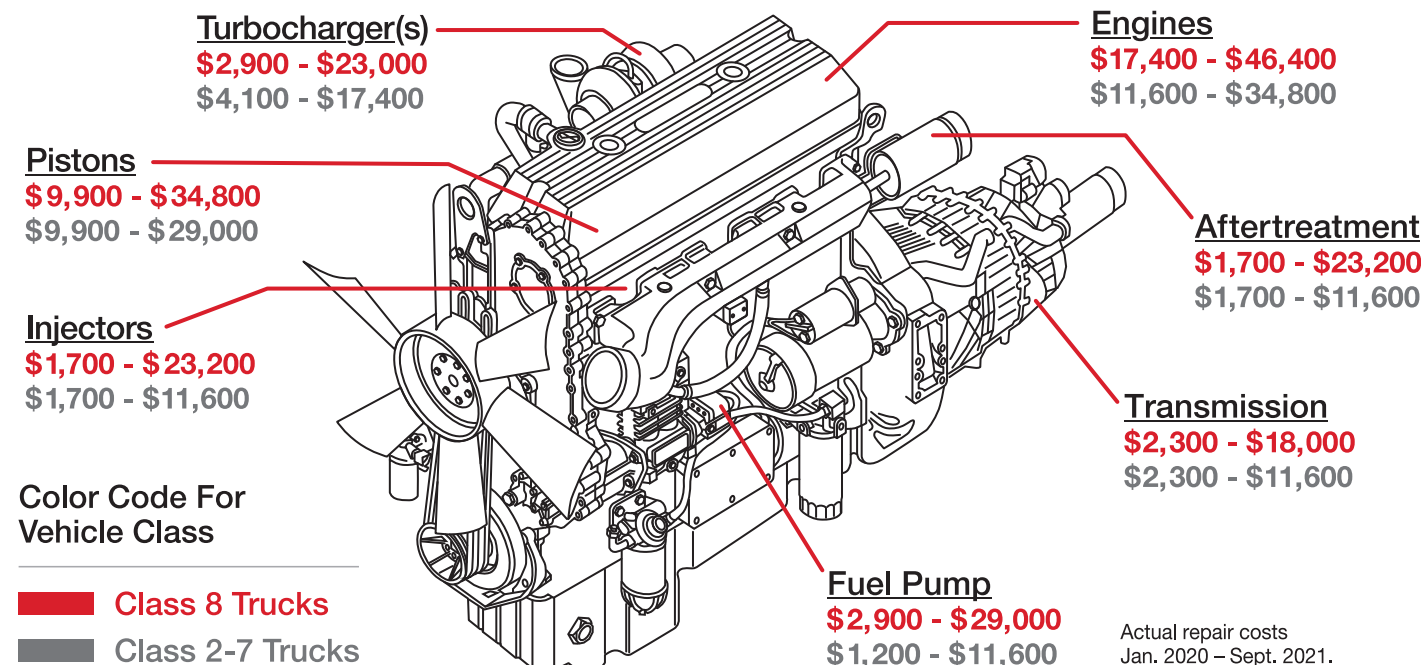
- 64% of paid claims have repair costs over \$6,600
- Nearly 1 in 4 claims had repair costs over \$13,200



Costs are actual total repairs paid for warranties reaching full term Jan. 2020 - Sept. 2021.

### Major Components Repair Costs Range

The high cost to repair one major equipment failure could put your business in jeopardy. A Premium 2000+ warranty will protect your business, your investment and your livelihood.



Actual repair costs Jan. 2020 - Sept. 2021.



Since 1995, our mission has been to keep you and your truck on the road and moving. That's why we are always designing the industry's best warranty programs to protect your most important asset. And when you need us, we'll be there to provide outstanding customer service to get you back on the road as quickly and safely as possible.

For more information on a Premium 2000+ Heavy- or Medium-Duty warranty that best fits your business, contact your local Ryder Sales Expert.



1-877-950-3200

premium2000.com

claims@ntpco.com

7990 North Point Blvd  
Suite 100  
Winston Salem, NC 27106

1020, rue Bouvier  
Suite 400  
Québec QC G2K 0K9

Scan here for more warranty information.



# Premium 2000+ **SUPREME** Warranty Program

CLASS 8, up to 10 years including the current calendar year; start kilometers <1,450,000 km; warranty expires at 1,609,000 total kilometers.

DIESEL CLASS 2-7, up to 10 years including the current calendar year; start kilometers <600,000 km; warranty expires at 800,000 total kilometers.

GAS CLASS 2-7, up to 10 years including the current calendar year; start kilometers <282,000 km; warranty expires at 402,000 total kilometers.

\*Please refer to your signed contract for complete coverage language and Limits of Liability. The Total Aggregate Limits of Liability for all covered claims shall not exceed the retail value of the vehicle.



## Covered Components

CC: Critical Components  
LOL: Limits of Liability  
HD: Class 8  
MD: Class 2-7

**Coverage Exclusions:** Please refer to your contract for complete list and details of covered and non-covered items. All costs are in Canadian dollars.

### Engine (NO REPAIR LIMITS\*)

#### Engine's internally lubricated hard parts:

- Camshaft and Cam Bearings
- Cam Followers
- Connecting Rods
- Connecting Rod Bearings
- Connecting Rod Caps and Screws
- Crankshaft
- Cylinder Block Casting
- Cylinder Head and Head Gasket
- Cylinder Liners
- Cylinder Head Bolts
- Hydraulic Lifters
- Injector Cups
- Intake and Exhaust Valves
- Intake and Exhaust Valve Guides
- Knock Sensors
- Main Bearings
- Manifold Absolute Pressure (MAP) Sensor
- Oil Cooler and Housing
- Oil Pan
- Oil Pump Pick Up Screen
- Oil Pump Pick Up Tube\*\*
- Oil Pump Pressure Relief Springs and Valves
- Pistons, Piston Rings and Piston Oil Cooling Jets
- Pushrods
- Rocker Arms and Rocker Arm Shafts
- Thrust Washers
- Timing Gears
- Timing Gear Cover and Housing
- Valve Cover
- Valve Retainers and Keepers (Locks)
- Valve Seats and Valve Springs
- Wrist Pins

#### "Non-oil" related components:

- Exhaust Manifold
- Flywheel Housing
- Intake Manifold
- Thermostat Housing
- Vibration Dampener

\*\* For Detroit Diesels, breakdowns originating from the "oil pump pick up tube O-ring" will only be covered if the TSB D18M3 has been performed by a certified OEM repair shop.

### Transmission (NO REPAIR LIMITS\*)

#### Internally lubricated hard parts of the manual or automatic transmission include:

- Bands
- Bearings
- Blockers
- Bushings
- Control Module (TCM)
- Drums
- Gear Sets
- Governor
- Oil Pump
- Shaft(s)
- Speed Sensor
- Shift Forks
- Synchronizers
- Thrust Washers
- Torque Converter
- Valve Body

### Differential (NO REPAIR LIMITS\*)

#### Internally lubricated hard parts include:

- Axle Housing
- Axle Shafts
- Bearings
- Bushings
- Carrier Case
- Gear Sets
- Limited Slip Clutch Pack

#### Power divider includes:

- Bearings
- Gears
- Shafts
- Shift Forks

### (CC) Turbo (NO REPAIR LIMITS\*)

#### Turbochargers include:

- Bearings
- Internal Variable Vane Assembly
- Turbine and Turbine Shaft
- Turbo Actuator

### (CC) Engine Fuel Injectors, Water Pump, Fuel Pump & ECM (NO REPAIR LIMITS\*)

- Complete Injector
- Fuel Injector Hard Lines
- Fuel Injection Pump
- Fuel Pump
- Engine Control Module (ECM)
- Water Pump

### Progressive Damage, Wearout & Carbon Packing

Please refer to your contract for details on Progressive Damage, Wearout & Carbon Packing coverage.

### Emissions Assembly (Gas Engines Only) (LOL: \$6,600)

- Catalytic Converter
- Evap Canister and Vent Solenoid
- Exhaust Manifold Gaskets
- Exhaust Pipes (between exhaust manifold and catalyst)
- Fuel Tank Pressure Sensor
- Mass Air Flow Sensor
- Oxygen (O<sub>2</sub>) Sensors
- Purge Control Valve

**Damages resulting from the Primary Failure of seals and gaskets or fasteners/retainers are not covered.**

### Aftertreatment (Diesel Engines)

(LOL: HD, \$10,500; One Box, \$15,900; MD, \$10,500)

- Aftertreatment Electronic Control Module (ACM)
- Back Pressure Control Valve (BPV)
- Diesel Exhaust Fluid (DEF) Module with Injection Nozzle
- DEF Heater Control Relay
- DEF Dosing Module - Wiring Harness
- DEF Heated Lines (3)
- DEF Heater Coolant Control Valve
- DEF Heating Elements
- DEF Heating Fittings (3 on Supply Module)
- DEF Pump and Module
- DEF Solution Level/Temperature Sensor
- DEF Tank
- Diesel Oxidation Catalyst (DOC)
- Diesel Particulate Filter (DPF)
- DPF Air, Fuel, and Coolant Lines
- DPF Air, Fuel, Manifold Assembly
- DPF Dosing Module
- Exhaust Gas Recirculation (EGR) Valves
- EGR Actuator
- EGR Connecting Bellows and Clamps
- EGR Cooler(s)
- Exhaust Piping, Clamps, and Gaskets
- Exhaust Throttle Valve
- Hydrocarbon Doser Injector (HC Doser, 7th Injector, ARD, AHL Module)
- Hydrocarbon Doser Valve - Air, Fuel, and Coolant Lines; and Inline Air Filter
- Hydrocarbon Doser Valve (Voss Valve)
- Selective Catalytic Reduction (SCR) Catalyst
- SCR Decomposition Pipe and Pipe Elbows
- Sensor, BPV Pressure
- Sensor, Delta P (DPF Pressure)
- Sensor, DOC Inlet Pressure
- Sensor, DOC (Post) Temperature
- Sensor, DOC (Pre) Temperature
- Sensor, DPF Air Supply Pressure
- Sensor, DPF Back Pressure
- Sensor, DPF Fuel Pressure
- Sensor, Lambda (O<sub>2</sub> Sensor)
- Sensor, NOx (2)
- Sensor, Pressure After Exhaust Throttle Valve
- Sensor, SCR (Post) Temperature
- Sensor, SCR (Pre) Temperature
- Wiring Harness - Emission Systems (including overlay)

## Additional Programs & Services

We offer more equipment warranties and services than anyone. All designed to keep you on the road comfortably and safely.

#### PROGRAMS:

- Auxiliary Power Unit (Additional fee)
- Comfort Package™ (Additional fee)
- Expanded Progressive Damage Coverage
- Expanded Wearout Coverage
- Rapid Repair Guarantee Plus™ (Included)
- Used Reefer Unit (Additional fee)

#### SERVICES:

- Rental Truck Assistance (Additional fee)
- Roadside Assistance (Additional fee)
- Towing Benefit

## RAPID REPAIR GUARANTEE PLUS

INCLUDED WITH SUPREME

No other warranty company offers a guarantee on getting you in and out of the repair facility and back on the road safely.

This program guarantees that after the claim approval is complete, our National Repair Network will have you on the road within 14 days, or we will pay you, or the lien holder, half of your monthly truck payment, up to \$1,000. If repairs require more than 30 days from the time the claim is approved, we will pay you, or the lien holder, your total monthly truck payment, up to \$2,000.

#### Eligibility

- Class 8; Start kilometers up to 1,450,000 km (on odometer or ECM), whichever is greater. Warranty expires at 1,609,000 total kilometers.
- Diesel Class 2-7; Start kilometers up to 600,000 km (on odometer or ECM), whichever is greater. Warranty expires at 800,000 total kilometers.
- Gas Class 2-7; Start kilometers up to 282,000 km (on odometer or ECM), whichever is greater. Warranty expires at 402,000 total kilometers.
- Model age must be 10 years from current year or newer

#### Underwriting

- New engine oil and filter required
- Continuing OEM maintenance recommendations must be followed
- Check fault codes & perform preventative maintenance
- Visual inspection of warrantied components: identify leaks at seals, gaskets, and housing; verify engine performance (i.e. skips, misses, knocking, etc.)
- Road test/performance evaluation to identify performance & operational issues
- Repair identified deficiencies to maintain ROs of related underwriting repairs
- Wrap coverage begins at expiration of prior OEM coverage (by age or mileage)



# SUPREME™

HEAVY-DUTY and MEDIUM-DUTY WARRANTY PROGRAMS

